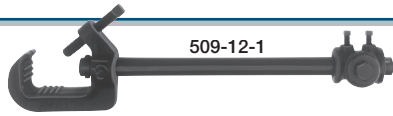


**SIDE ARMS**

A side arm is used to extend the mounting positions of luminaires or equipment from a vertical pipe or boom. It comprises a 510 pipe clamp on one end of a length of 1/2" pipe, with one or more sliding tees mounted to the pipe for attaching luminaires or equipment. Baked black enamel finish.



**Catalog No. Description**

**509-12-1** 12" Pipe w/One Sliding Tee (w/ 1/2"- 13 bolt & washer)

*Longer lengths available in 6" increments. To order longer lengths, substitute the number of inches for "-12" (36" max.). Additional Tees (w/bolt & washer) available. To order, substitute the number of sliding tees (w/bolt & washer desired for "-1".*

**PIPE STIFFENERS**

A pipe stiffener is used by attaching the pipe clamp to a batten pipe while tying the loop to the cable supporting the batten. This prevents the batten pipe from rotating within its supports due to torques created by equipment mounted to the batten. Baked black enamel finish.



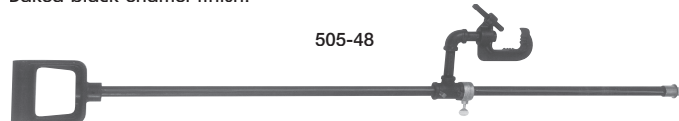
**Catalog No. Description**

**504-24** 24" Pipe w/Eyelet and 510 Pipe Clamp

*Longer lengths available in 6" increments. To order longer lengths, substitute the number of inches for "-24" (48" max.)*

**POLE LIGHT LIFTS**

Pole light lifts allow fixtures to be easily raised and lowered from a single attachment point. Comprised of an offset 510 pipe clamp fastened to a 1/2" length of pipe in conjunction with a "stirrup" for attaching a fixture. Baked black enamel finish.



**Catalog No. Description**

**505-48** 48" Locking Bolt Lift

*Longer lengths available in 12" increments. To order longer lengths, substitute the number of inches for "-48" (120" max.)*

Specifications subject to change without notice



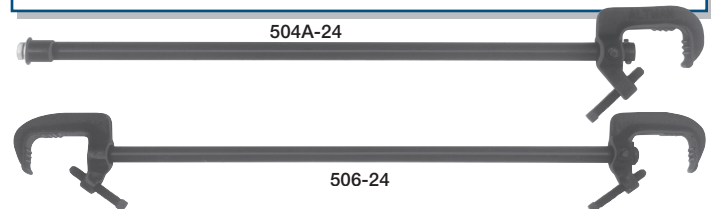
**FLOOR TRUNNIONS**

Supplied in pairs, floor trunnions are attached to portable borderlights that are to be mounted on the floor. Altman FT and CFT trunnions have two fixture mounting holes to allow for flexibility. Double trunnions allow for mounting two units on one set of trunnions. ZS series trunnions are specially designed for Zip Strips, and MICS series trunnions are specially designed for Mirco Strips. All items are finished in black epoxy sandtex, electrostatic applications.

**Catalog No. Description**

- FT** 10 1/2" Floor Trunion, pair
- CFT** Castered 10 1/2" Floor Trunion, pair
- ZS-FT** 7" Floor Trunion, pair
- ZS-CFT** Castered 7" Floor Trunion, pair
- ZS-DFT** 17" Double Floor Trunion, pair
- MICS-FT** 4" Floor Trunion, pair
- MICS-DFT** 8" Double Floor Trunion, pair

**EXTENSION CLAMPS**



504A extension clamps are for extending the mounting position of luminaires from pipe battens. They are provided with a 510 pipe clamp on one end, and a 1/2"- 13 attachment bolt with washers on the other. 506 extension clamps are provided with a 510 pipe clamp on each end for hanging one pipe from another. All items are finished in baked black enamel.

**Catalog No. Description**

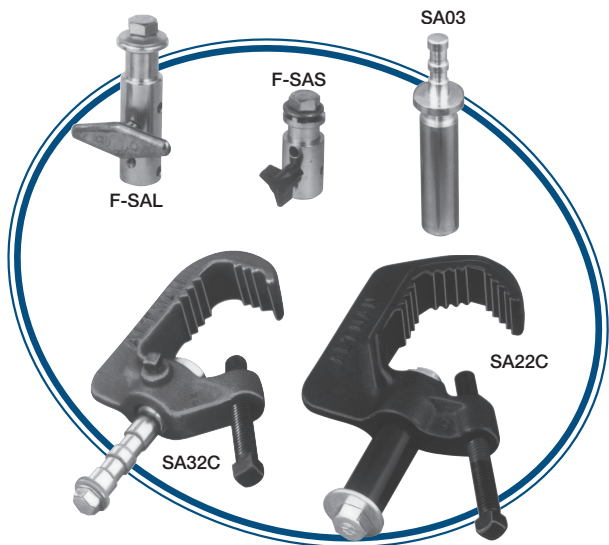
- 504A-24** 24" Fixture Extension Clamp  
*Longer lengths available in 6" increments. To order longer lengths, substitute the number of inches for "-24" (96" max.)*
- 506-24** 24" Double Pipe Clamp Extension  
*Longer lengths available in 6" increments. To order longer lengths, substitute the number of inches for "-24" (48" max.)*

**SPECIALTY ADAPTERS**

Adapters are used to convert one type of mounting hardware to another.

**Catalog No. Description**

- SA03** Adapts 1 1/8" Stand Socket to 5/8" Yoke Socket
- SA03M** SA03 Adapter Modified to Thread onto 1/2" Pipe
- SA32** Adapts 5/8" Yoke Socket to 510 Pipe Clamp
- SA32C** SA32 Adapter w/510 Pipe Clamp, commonly referred to as a "Baby Pipe Clamp"
- SA22** Adapts 1" Yoke Socket to 510-HD Pipe Clamp, Includes 1/2"-13 Attachment Bolt
- SA22C** SA22 w/510-HD Pipe Clamp
- F-SAS** Combination 5/8" x 1 1/8" Spigot
- F-SAL** Large Combination 5/8" x 1 1/8" Spigot Commonly referred to as a "TVMP"



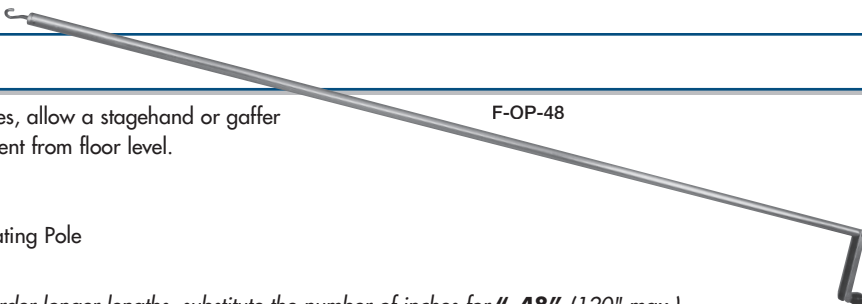
**OPERATING POLES**

Operating poles, in conjunction with pole operated yokes, allow a stagehand or gaffer to adjust overhead film and video luminaires or equipment from floor level.

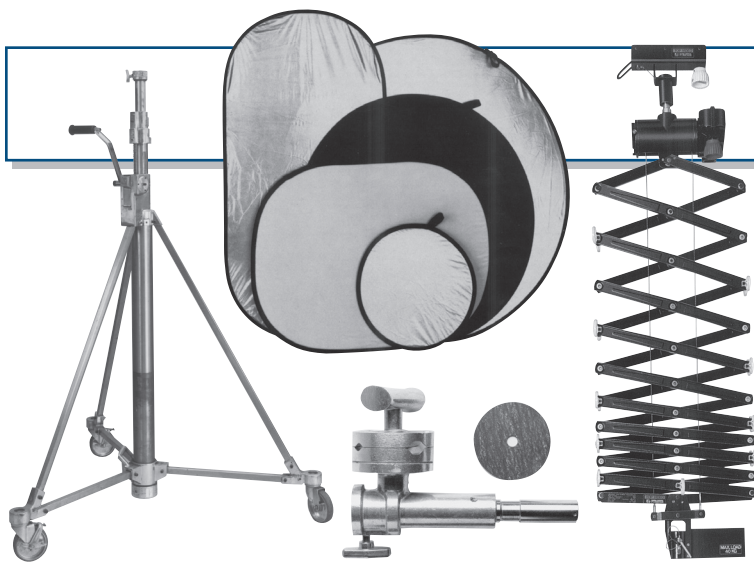
**Catalog No. Description**

- F-OP-48** 4' Aluminum Non-Telescoping Operating Pole

Longer lengths available in 12" increments. To order longer lengths, substitute the number of inches for "-48" (120" max.)



**STAND & GRIP EQUIPMENT BY:  
American, Advantage Gripware,  
Bogen, Matthews, and Doughty**



- |                |                   |
|----------------|-------------------|
| C Stands       | Pantographs       |
| Poles and Arms | Kit & Baby Stands |
| Reflectors     | Umbrellas         |
| Junior Stands  | Flags & Cutters   |
| Scrim          | Crank Stands      |
| Grips          | Hangers & Clamps  |

Other American, Advantage Gripware, Bogen, Matthews, and Doughty Products not listed above are available. Use Manufacturers Part Numbers when ordering.

Specifications subject to change without notice