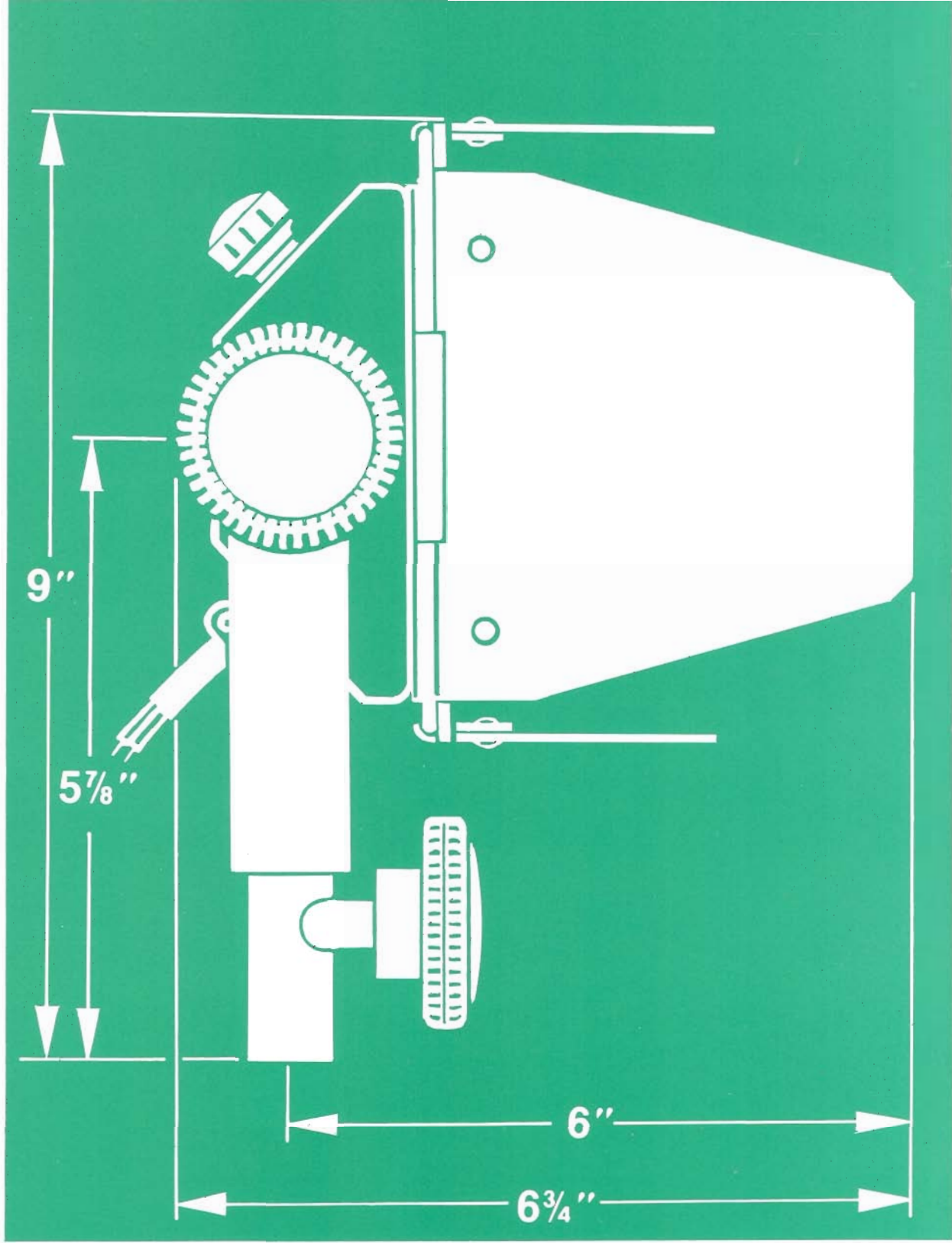


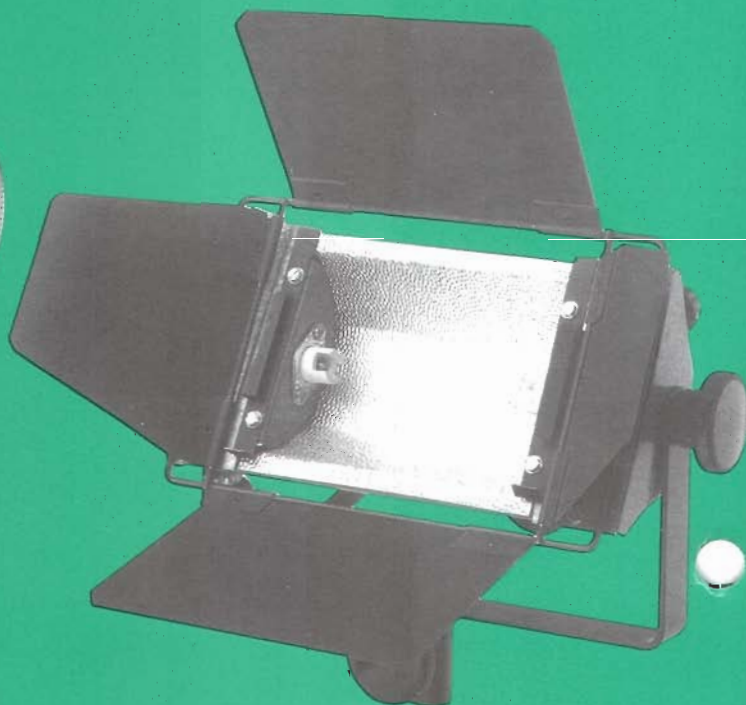
ALTMAN



Open Face Units

THE QUALITY OF LIGHT
Altman Stage Lighting Company, Inc., 57 Alexander Street, Yonkers, NY 10701 • 914-476-7987 or 212-569-7777, FAX: 914-963-7304

The Altman Q-LITE model luminaires are compact, lightweight, multi-purpose flood/fill lights ideal for use in tight spaces where maximum light output and beam spread are required. The Altman SOFT-LITE model fixtures offer a very soft, even wash of light from a compact, lightweight package. They are perfect for the studio or on location where a high performance, indirect fill light is essential. The Altman Punch Lights are very high intensity key or fill lights. Designed for use in film and television remote applications, these rugged units provide light or daylight fill when ultra high intensity from a small package is required.



Q-LITE-JR 650W Flood Light

Lamps: FAD, FBX, DWY, FCA, FFM, FDA, EHR S, EHR GE, EHP S, EHP GE, EHX

Accessories Supplied with Luminaire:
3' cord w/ male edison conn., 4 leaf barndoors, and safety screen

Q-LITE-JR Accessories

QL-JR-BD4	4 Leaf Barndoors
QL-CF	Color Frame
QL-JR-SS	Wire Mesh Safety Screen
QL/SL-25S	25' Ext. Cord w/ In-Line Switch
SC	36" Safety Cable w/ Spring Clip
SA03	1 1/8" Stand Adapter
SA32	5/8" Hanging Stud for Pipe Clamp
SA32C	Pipe Clamp w/ 5/8" Stud
510	Malleable Iron Pipe Clamp

Q-LITE 1000W Flood Light

Lamps: FCM, FHM, EJG, EMD, FDF, FDN, FCL, FCZ, EHM, EHZ

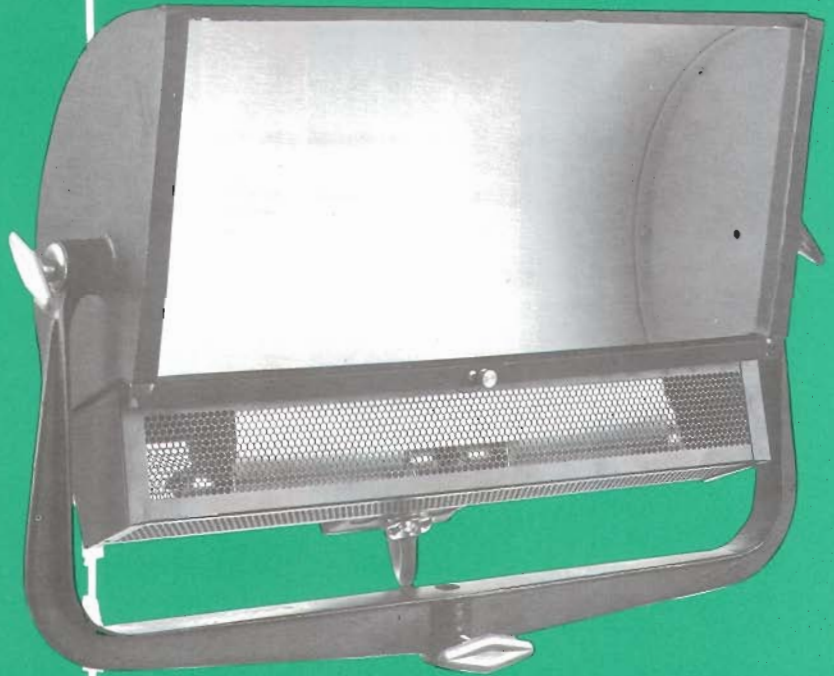
Accessories Supplied with Luminaire:
3' cord w/ male edison conn. 4 leaf barndoors, and safety screen

Q-LITE Accessories

QL-BD4	4 Leaf Barndoors
QL-CF	Color Frame
QL-SS	Wire Mesh Safety Screen
QL/SL-25S	25' Ext. Cord w/ In-Line Switch
SC	36" Safety Cable w/ Spring Clip
SA03	1 1/8" Stand Adapter
SA32	5/8" Hanging Stud for Pipe Clamp
SA32C	Pipe Clamp w/ 5/8" Stud
510	Malleable Iron Pipe Clamp

ALTMAN

THE QUALITY OF LIGHT



SOFT-LITE-JR 1000W Soft Light

Lamps: FCM, FHM, EJG, EMD, FDF, FDN, FCL,
FCZ, EHM, EHZ

Accessories Supplied with Luminaire:
3' cord w/ male edison conn., and color frame

SOFT-LITE-JR Accessories

SL-JR-CF	Color Frame
SL-JR-EC	Egg Crate
QL/SL-25S	25' Ext. Cord w/ In-Line Switch
SC	36" Safety Cable w/ Spring Clip
SA03	1 1/8" Stand Adapter
SA32	5/8" Hanging Stud for Pipe Clamp
SA32C	Pipe Clamp w/ 5/8" Stud
510	Malleable Iron Pipe Clamp

SOFT-LITE Dual 1000W Soft Light

Lamps: FCM, FHM, EJG, EMD, FDF, FDN, FCL,
FCZ, EHM, EHZ

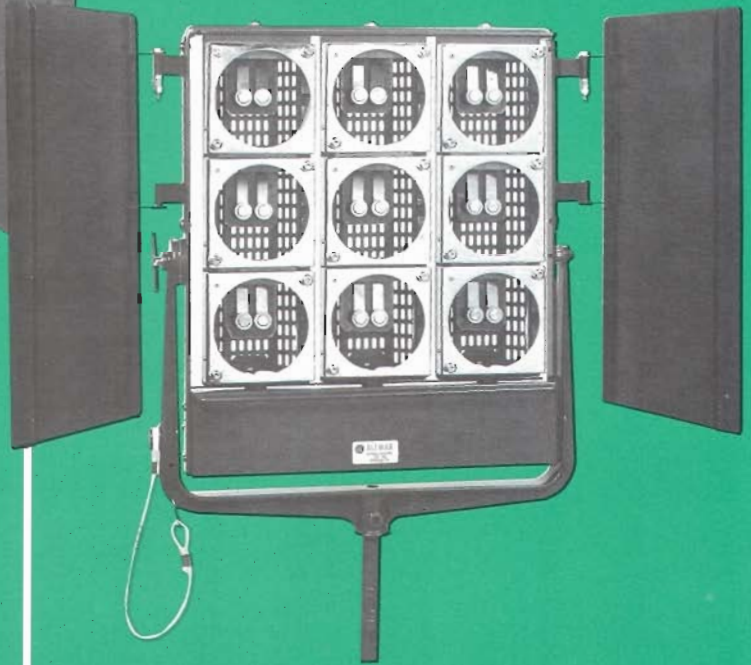
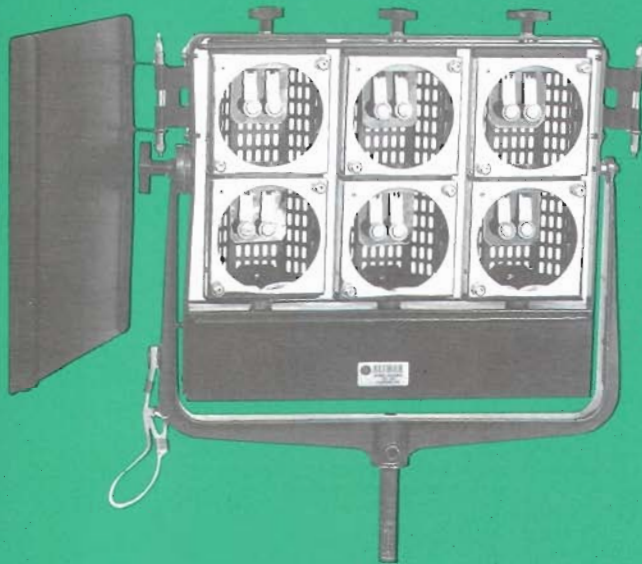
Accessories Supplied with Luminaire:
25' cord w/ dual control in-line switch, and color frame

SOFT-LITE Accessories

SL-CF	Color Frame
SL-EC	Egg Crate
SC	36" Safety Cable w/ Spring Clip
SA03	1 1/8" Stand Adapter
SA32	5/8" Hanging Stud for Pipe Clamp
SA32C	Pipe Clamp w/ 5/8" Stud
510	Malleable Iron Pipe Clamp

This Catalog supplement has been created to allow the lighting designer to compare and specify luminaires in a concise and easy to understand manner. Altman Stage Lighting Co., Inc. has been designing and manufacturing quality lighting equipment for over forty years, and will continue to do so for many years to come.

All products in this supplement are stock items and are available for immediate delivery. Full specifications on all products are available from Altman Stage Lighting or any authorized Altman dealer. All units can be relamped without the use of tools, and can operate on 120-240Volts, 50-60Hz. Consult factory or dealer for details.



PL6 650W x 6 Punch Light

Lamps: FAY, FBJ, DXK, FCX, FCW

Accessories Supplied with Luminaire:

3' cord w/ male pin conn., pair of barndoors, and 1¹/₈" stand adapter

PL6 Accessories

PL6-BD	2 Leaf Barndoors
SC	36" Safety Cable w/ Spring Clip
SA02	1 ¹ / ₈ " Stand Adapter
SA22	1" Hanging Stud for Pipe Clamp
SA22C	Heavy Duty Pipe Clamp w/ 1" Stud
510HD	Heavy Duty Malleable Iron Pipe Clamp

PL9 650W x 9 Punch Light

Lamps: FAY, FBJ, DXK, FCX, FCW

Accessories Supplied with Luminaire:

3' cord w/ male pin conn., pair of barndoors, and 1¹/₈" stand adapter

PL9 Accessories

PL9-BD	2 Leaf Barndoors
SC	36" Safety Cable w/ Spring Clip
SA02	1 ¹ / ₈ " Stand Adapter
SA22	1" Hanging Stud for Pipe Clamp
SA22C	Heavy Duty Pipe Clamp w/ 1" Stud
510HD	Heavy Duty Malleable Iron Pipe Clamp

ALTMAN

Photometric Data

DISTANCE IN FEET		2.5	5	7.5	10	12.5	15	17.5	20	25		
FIXTURE	LAMP	FIELD ANGLE	PEAK FOOTCANDLES								CANDLE-POWER (X 1000)	
			BEAM SIZE IN FEET									
Q-LITE - JR	650W FAD	155° H 130° V	896	224	100	56	36	25	18	14		5.6
			9x7	17x14	26x21	35x29	43x36	52x43	61x50	69x57		
Q-LITE	1000W FCM	132° H 140° V	896	224	100	56	36	25	18	14		5.6
			6x11	12x21	19x32	25x43	31x53	37x64	43x75	49x86		
SOFT-LITE - JR	1000W FCM	115° H 135° V	785	196	88	49	33	22	16			4.9
			5x5	10x10	16x15	21x19	26x24	31x29	36x34			
SOFT-LITE	1000W FCM (x2)	150° H 135° V		384	171	96	61	43	32	24	15	9.6
				13x12	20x18	27x24	34x30	40x36	46x42	53x48	65x60	

DISTANCE IN FEET		10	20	30	40	10	20	30	40			
FIXTURE	LAMP	BEAM ADJUST-MENT	PEAK FOOTCANDLES				BEAM ADJUST-MENT	PEAK FOOTCANDLES				CANDLE-POWER (X 1000)
			BEAM SIZE IN FEET					BEAM SIZE IN FEET				
PL6	650W FAY(x6)	MAXI-MUM	810	205	90	50	MINI-MUM	1860	465	205	115	186
			13x4	25x7	38x11	56x14		5x3	9x6	14x10	18x13	
	650W FBJ(x6)	MAXI-MUM	2100	525	235	130	MINI-MUM	5200	1300	580	325	520
			11x2	21x5	32x7	42x10		4x3	8x5	12x8	16x10	
	650W DXK(x6)	MAXI-MUM	760	190	85	50	MINI-MUM	1770	445	200	110	177
		17x6	34x11	50x17	67x22		7x5	13x9	20x14	27x19		
650W FCX(x6)	MAXI-MUM	600	150	65	40	MINI-MUM	1500	375	165	95	150	
		18x6	36x11	54x17	72x22		7x5	13x9	20x14	26x19		
650W FCW(x6)	MAXI-MUM	320	80	35	20	MINI-MUM	620	155	70	40	62	
		19x10	38x19	57x29	76x38		10x9	20x18	30x27	40x36		
PL9	650W FAY(x9)	MAXI-MUM	1200	300	135	75	MINI-MUM	2900	725	320	180	290
			13x4	25x7	38x11	51x14		5x3	9x7	14x10	18x13	
	650W FBJ(x9)	MAXI-MUM	3500	875	390	220	MINI-MUM	7450	1860	830	465	745
			10x3	20x5	30x8	40x10		4x2	8x5	12x7	16x10	
	650W DXK(x9)	MAXI-MUM	1030	260	115	65	MINI-MUM	2640	660	295	165	264
		19x6	39x12	58x17	78x23		7x5	13x9	20x14	27x19		
650W FCX(x9)	MAXI-MUM	880	220	100	55	MINI-MUM	2160	540	240	135	216	
		17x5	34x11	51x16	68x22		7x5	13x9	20x14	26x19		
650W FCW(x9)	MAXI-MUM	480	120	55	30	MINI-MUM	990	250	110	60	99	
		18x10	37x20	55x29	73x39		10x9	20x19	29x28	39x37		

Contact Altman Stage Lighting Co., Inc. or your Altman Dealer for full specifications on above products. Specifications subject to change without notice.

Three generations of continuous pursuit of excellence.

What's in a name? Everything when its **ALTMAN**

Altman is a tradition. A family business when it started, and a family business today. Charles Altman, the patriarch and founder, whose spirit is still a driving force. Robert Altman, a son, boldly leading the company into tomorrow. Randall Altman, a grandson, stride by stride with Robert striving for family pride in excellence. Ronald Altman, whose memory, still inspiring loyalty, will always live on. All give the Altman name stature and importance in the world of theatrical lighting.

Altman is dedication. **Dedication** to building it right, to building it in the U.S.A. **Shortcuts** don't exist. Only pride which shines as brightly as an Altman light itself. Pride evidenced by hands-on management And pride in lights as old as the company. . . still in service, still trouble-free.

Altman is design innovation. And technological breakthrough. It's R&D. **With** lighting designers schooled in optics and engineering. It's a state of the art CAD/CAM pilot production installation. So ideas can move from paper to **production** almost overnight.

Altman is experience. From Broadway to summer stock, the **World's Fair** to **Woodstock**, the Statue of Liberty celebration to **Presidential Inaugurations**, **Altman is behind the scenes** with innovative new pro-

ducts - a major lighting presence and the standard by which others are judged.

But first, last, and always, Altman is customer satisfaction. As the company moves steadily forward into the '90s, procedures and techniques will be incorporated to improve customer service. Customer hotlines. Faster service. Greater attention to requests for information. Computer tracking. Some have already been implemented, and more will follow. One thing is sure. **Altman built its business on personal service. And this will never change.**

Tradition. Dedication. Design innovation. Experience. Service. Altman is all of these. Because **Altman is the quality of light.**

Altman operates out of a modern 100,000 sq. foot facility located on the banks of the Hudson River only 8 miles north of Manhattan.



Electro-static spraying produces smooth even quality.



Efficient production, producing high quality...high volume output.



Inspected and packed with care for damage free shipment.



Well stocked hi-tech rental department.



An authorized Altman dealer:

From design to production Altman's state-of-the-art equipment assures you of the finest products.

PRINTED IN USA 7/95 3M A.O.#3154