



SHAKESPEARE SERIES

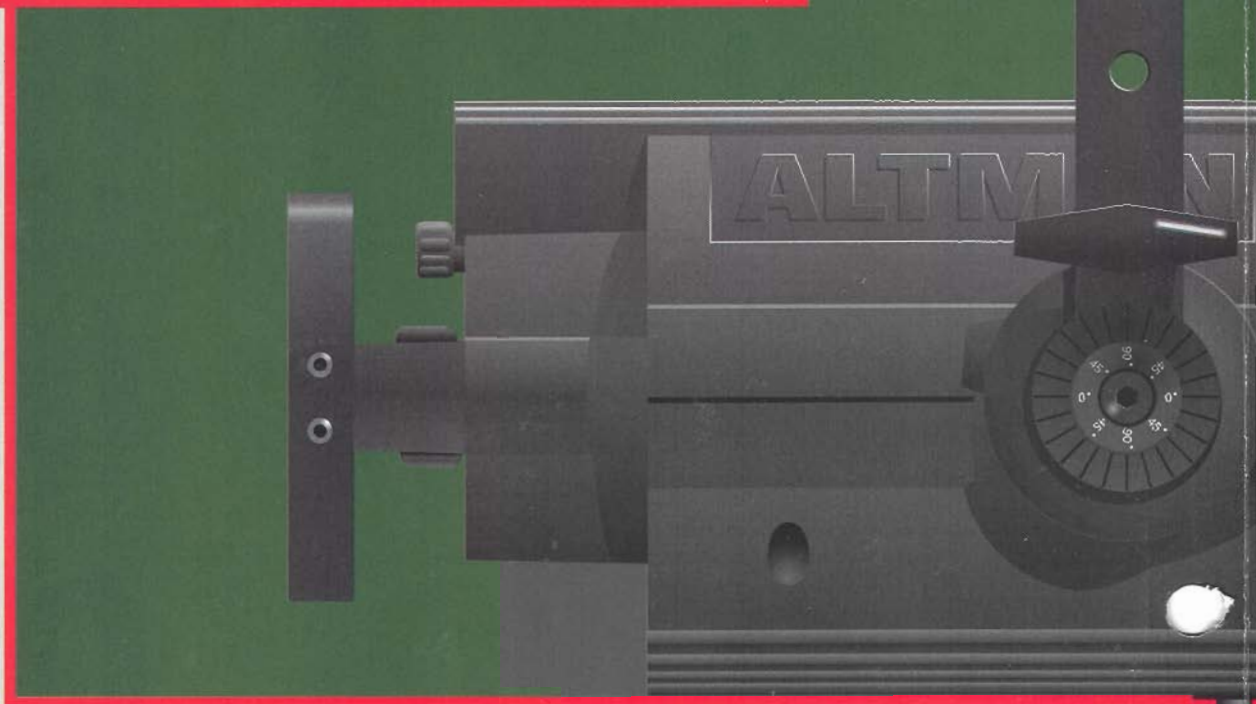
6 0 0

ALTMAN

THE QUALITY OF LIGHT

SHAKESPEARE[®] SERIES

600



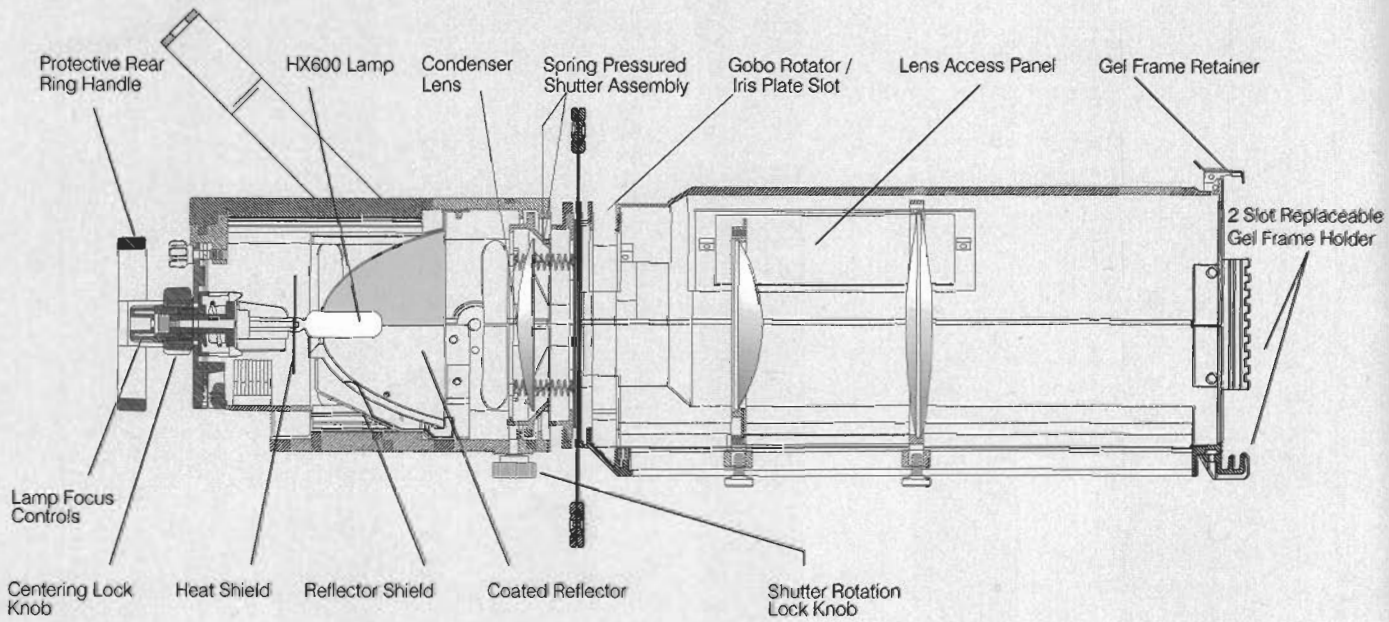
- Non-proprietary lamp available worldwide
- Uses 45% less energy than comparable fixtures of same intensity
- Interchangeable lens tubes for maximum flexibility
- Barrel rotates 90° in either direction
- Replaceable 2 slot gel frame holder with positive locking top clip
- Rear handle acts as a cord wrap, stand, and focusing aid
- Dichroic coated reflector removes heat from beam, resulting in longer gel and pattern life
- Color coded lens identification system
- Easily removable shutters
- C-UL Listed for 750 watts

30°-55°

15°-35°

12°

SHAKESPEARE® 15°-35°



SPECIFICATIONS

Mechanical

Lamp housing and lens barrels : die cast and spun aluminum
 20°- 50° Units shipping weight : 18 Lbs (8.2 Kg)
 5°, 10°, 12°, & Zoom Units shipping weight : 30 Lbs (13.6 Kg)
 Finish : electrostatic black epoxy powder paint
 Yoke : 0.187" x 1.25" strap steel with two positions
 Shutters : Removable 20 gauge stainless steel
 Focus control knobs : high impact Ultem plastic
 Barrel: 180° indexed rotation
 Replaceable Lexan gel frame holders with positive retaining latch
 Standard American hardware

Electrical

Socket : Med two pin G9.5 with high temperature wiring
 Cable : 36" (91cm) leads from head
 Ratings : 115V - 240V, 750W

Optical

Lenses : antireflective coated glass, and polymeric plastic with color-coded lens identification system
 Reflector : Heat transferring dichroic coating on glass substrate

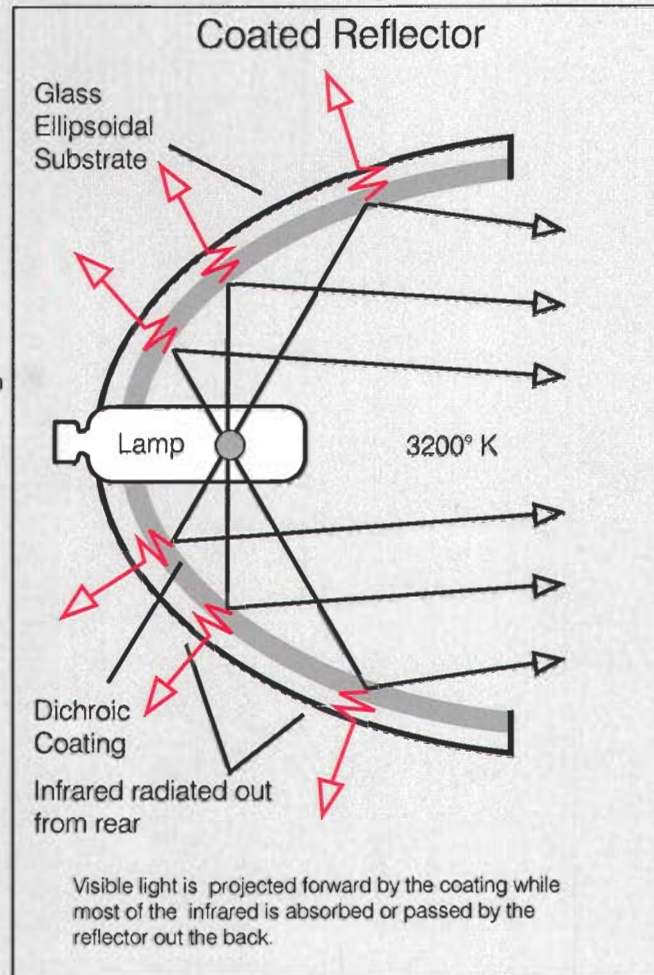
Accessories

5°, 10°, 20°- 50° Units:

| | |
|-----------|--|
| 4.5-CF | 6.25" Color Frame (included with 20°- 50°) |
| TEN-CF | 12" Color Frame (included with 10°) |
| TWE-CF | 14" Color Frame (included with 5°) |
| 510 | Pipe Clamp (included with 20°- 50°) |
| 510-HD | Heavy Duty Pipe Clamp (included with 5° & 10°) |
| SC | Safety Cable (included) |
| 360-PH | Pattern Holder |
| 1KL6-PH | Pattern Holder |
| 4.5-DN | 6-1/4" x 6-1/4" Donut for 20°- 50° |
| 404-4.5 | Motorized Color Wheel |
| 195 A-4.5 | Manual Color Wheel |
| SDii | Drop-in Iris |
| 4.5-SN | Snoot for 20°- 50° |
| TEN-SN | Snoot for 10° |

12°& Zoom Units:

| | |
|---------|----------------------------------|
| 6-CF | Color Frame (included) |
| 510-HD | Heavy Duty Pipe Clamp (included) |
| SC | Safety Cable (included) |
| 360-PH | Pattern Holder |
| 1KL6-PH | Pattern Holder |
| 6-DN | 7-1/2" x 7-1/2" Donut |
| 404-6 | Motorized Color Wheel |
| 195-A-6 | Manual Color Wheel |
| SDii | Drop-in Iris |
| 6-SN | Snoot |



Lamp Substitution:

| | |
|-------------|-----------------------|
| FLK (HX600) | 575W 115V |
| HX601 | 575W 115V (long life) |
| HP600-SSTV | 575W 115V |
| HP600 | 600W 120V |
| HP500 | 500W 120V |
| EHG | 750W 120V (long life) |
| EHF | 750W 120V |
| EHD | 500W 120V (long life) |
| EHC | 500W 120V |
| FKR | 650W 220V |
| HP600 | 600W 230V |
| HX600 | 575W 230/240V |

Lens Barrel Assemblies:

| | |
|-------|-----------------|
| S65B | 5° Lens Barrel |
| S610B | 10° Lens Barrel |
| S620B | 20° Lens Barrel |
| S630B | 30° Lens Barrel |
| S640B | 40° Lens Barrel |
| S650B | 50° Lens Barrel |

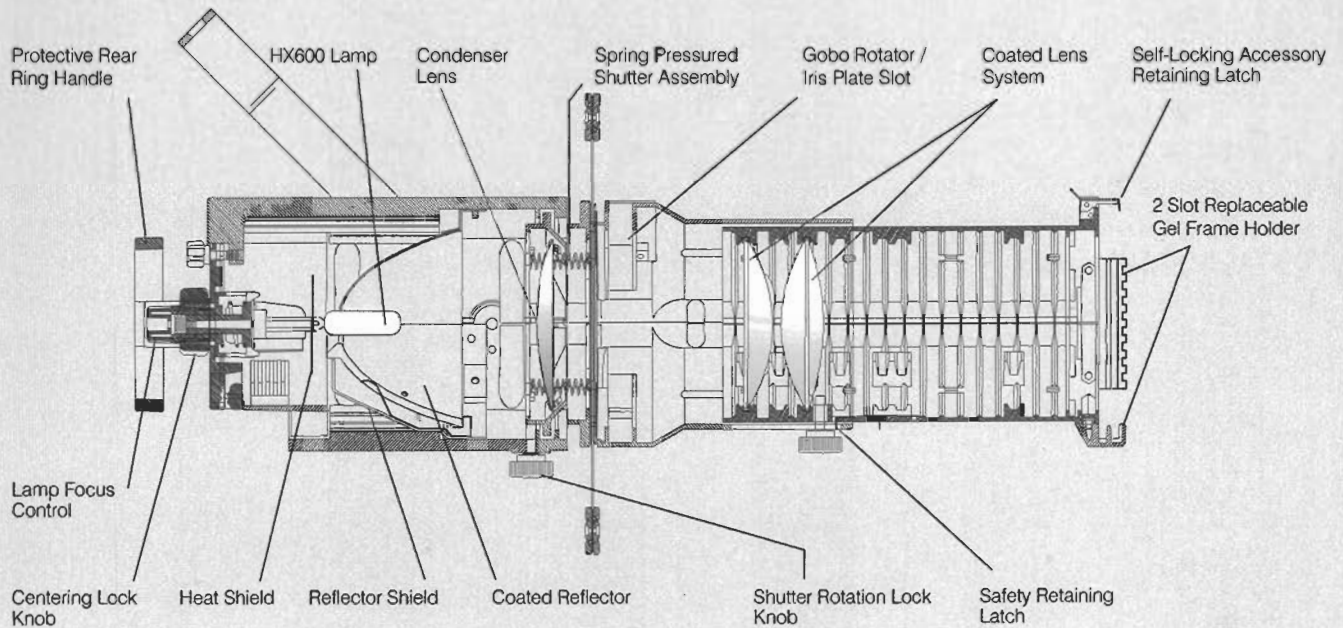
20°

40°

30°

50°

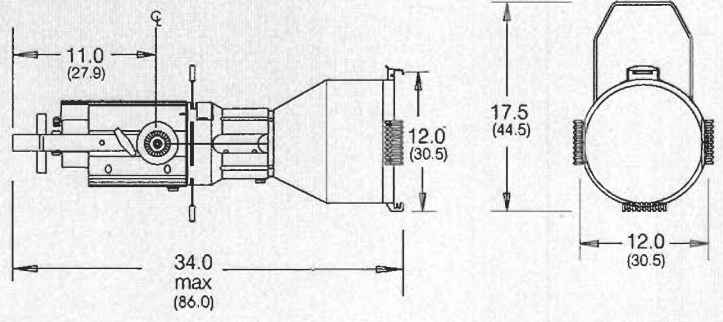
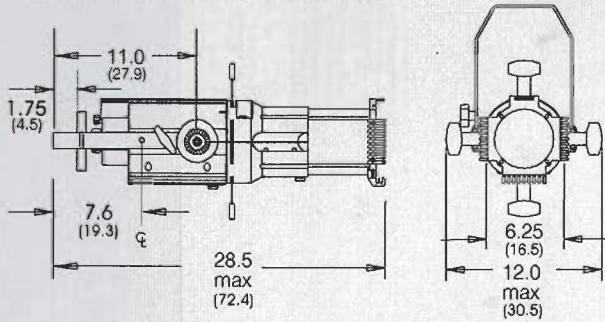
40°



Overall Dimensions

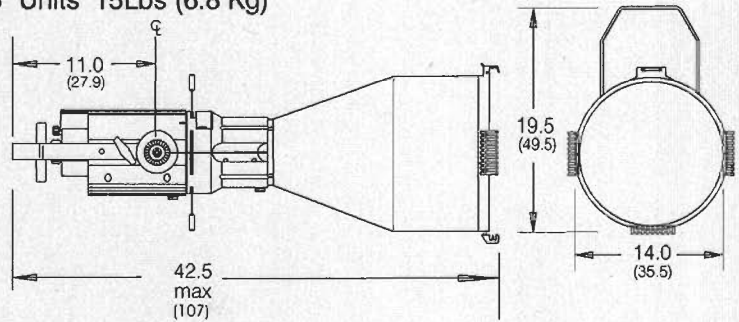
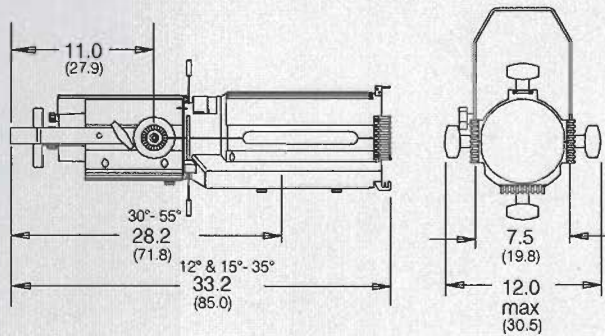
20°, 30°, 40°, & 50° Units 15Lbs (6.8 Kg)

10° Units 14.5 Lbs (6.3 Kg)



12° & Zoom Units 28 Lbs (12.7 Kg)

5° Units 15Lbs (6.8 Kg)



Dimensions in inches (cm)

| DISTANCE IN FEET | | 10 | 20 | 30 | 40 | 50 | 60 | 70 | 80 | EFFICIENCY | CANDLE-POWER (x1000) | ACTUAL FIELD ANGLE | ACTUAL BEAM ANGLE |
|------------------|-------|--------------------------|---------|---------|--------|--------|-------|-------|-------|------------|----------------------|--------------------|-------------------|
| FIXTURE | LAMP | PEAK FOOTCANDLES | | | | | | | | | | | |
| | | MAXIMUM DIAMETER IN FEET | | | | | | | | | | | |
| S6-50 | HX600 | 463 | 116 | 51 | 29 | 19 | 13 | 9 | | 55% | 46.3 | 50° | 23° |
| | | 10 | 19 | 28 | 38 | 47 | 56 | 66 | | | | | |
| S6-40 | HX600 | 981 | 245 | 109 | 61 | 39 | 27 | 20 | 15 | 59% | 98.1 | 38° | 20° |
| | | 7 | 14 | 21 | 28 | 35 | 42 | 48 | 55 | | | | |
| S6-30 | HX600 | 1493 | 373 | 166 | 93 | 60 | 41 | 30 | 23 | 54% | 149.2 | 28° | 13° |
| | | 5 | 10 | 15 | 20 | 25 | 30 | 35 | 41 | | | | |
| S6-20 | HX600 | 1897 | 474 | 211 | 119 | 76 | 53 | 39 | 30 | 48% | 189.7 | 20° | 13° |
| | | 4 | 7 | 11 | 14 | 18 | 22 | 25 | 29 | | | | |
| S6-12 | HX600 | 3277 | 819 | 364 | 205 | 131 | 91 | 67 | 51 | 44% | 327.7 | 12° | 7° |
| | | 2 | 4 | 6 | 8 | 11 | 13 | 15 | 17 | | | | |
| S6-15-35 | HX600 | 3514/1192 | 879/298 | 390/132 | 220/74 | 141/48 | 98/33 | 72/24 | 55/19 | 48%/ 65% | 351/119 | 15°/ 35° | 9°/ 15° |
| | | 3/6 | 5/12 | 7/18 | 10/24 | 12/30 | 15/36 | 17/42 | 20/48 | | | | |
| S6-30-55 | HX600 | 1660/543 | 415/136 | 184/60 | 104/34 | 66/22 | 46/15 | 34/11 | 26/8 | 60%/ 65% | 166/55 | 30°/ 55° | 13°/ 15° |
| | | 5/10 | 10/20 | 15/30 | 20/40 | 25/49 | 30/59 | 36/69 | 41/79 | | | | |
| S6-10 | HX600 | 124 | 98 | 79 | 65 | 55 | 47 | 40 | 35 | 60% | 791.0 | 10° | 7° |
| | | 14 | 16 | 17 | 19 | 21 | 23 | 24 | 26 | | | | |
| S6-5 | HX600 | 152 | 120 | 97 | 81 | 68 | 58 | 50 | 43 | 68% | 974.9 | 7° | 5° |
| | | 10 | 2 | 4 | 5 | 6 | 7 | 17 | 18 | | | | |
| DISTANCE IN FEET | | 80 | 90 | 100 | 110 | 120 | 130 | 140 | 150 | | | | |

Specifications subject to change without notice

Shakespeare® products are protected by the following patents and others pending:
 US Pat. Nos. 5,345,371 and D364,001
 Shakespeare® products are C-UL listed under file #E31501

ALTMAN

THE QUALITY OF LIGHT

ALTMAN STAGE LIGHTING CO.
 57 Alexander Street, Yonkers, N.Y. 10701
 Phone (914) 476-7987 Or (212) 569-7777