

ARCHITECTURAL/ THEATRICAL LIGHTING

Catalog Number
TLA-CAT5DMX-*



Fixture Type:

The CAT-5 DATA PORT provides a quick and easy way to connect DMX-512A and RDM control signals to (and between) segments of a Smart-Track® Lighting System. Featuring a standard RJ-45 Receptacle wired to the data pins of a Smart-Track® Multi-Adapter, the data port can be used to bring wired control signals “tools free” to or from a Smart-Track® section.

The RJ-45 Receptacle is wired using an industry standard CAT-5 pin-out for DMX. The CAT-5 DATA PORT can be field configured with the RJ-45 receptacle oriented either left or right, as required for each application.

Specifications subject to change without notice.

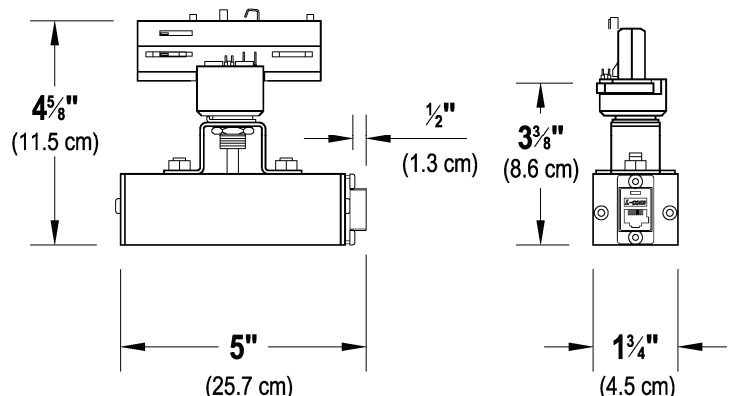
Smart-Track® Lighting System CAT-5 Data Port

Features:

- Industry Standard RJ-45 Connector for quick and easy data termination.
- ANSI E1.27-2 Standard Pin-out for DMX-512A/ RDM on an RJ-45 Connector
- Tools-Free termination of control signals feeding a Smart-Track® Section.
- Daisy Chain DMX/RDM signals between track sections using off the shelf RJ-45 Jumpers.
- Low Profile construction for high-profile installations
- Ideal for portable, as well as installation, systems.
- Available Black, White, and Silver paint finishes
- Weight: Approximately 0.75 lbs. (0.35kg)
- Made in the USA

The CAT-5 Data port uses the ANSI E1.27-2 standard DMX pin-out for an RJ45 connector.

Wire Color & #	Function	XLR Pin #
1—White/ Orange	Data + (pair 1 true)	3
2—Orange	Data—(pair 1 comp.)	2
3—White/ Green	Not used (pair 2 D+)	5
6— Green	Not used (pair 2 D-)	4
4—Blue	Unassigned	...
5—White/ Blue	Unassigned	...
7—White/ Brown	Common	1
8—Brown	Common	1



CAT-5 Data Port for Smart-Track®

Specifications:

Housing: Extruded aluminum Construction

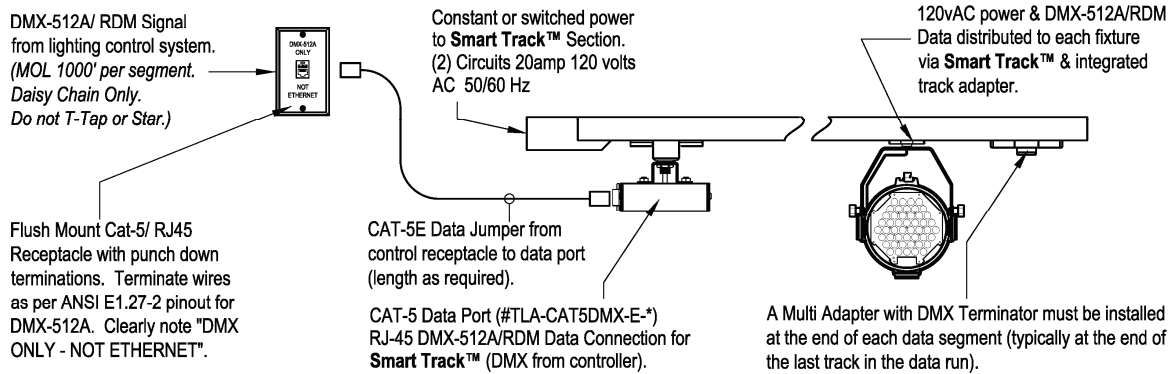
Data Connection: DMX-512A & RDM via RJ45 Panel mount connector pre-wired to data pins of Smart-Track® Adapter.

Finish: Black, White or Silver TGIC polyester, electrostatic application. Custom colors available.

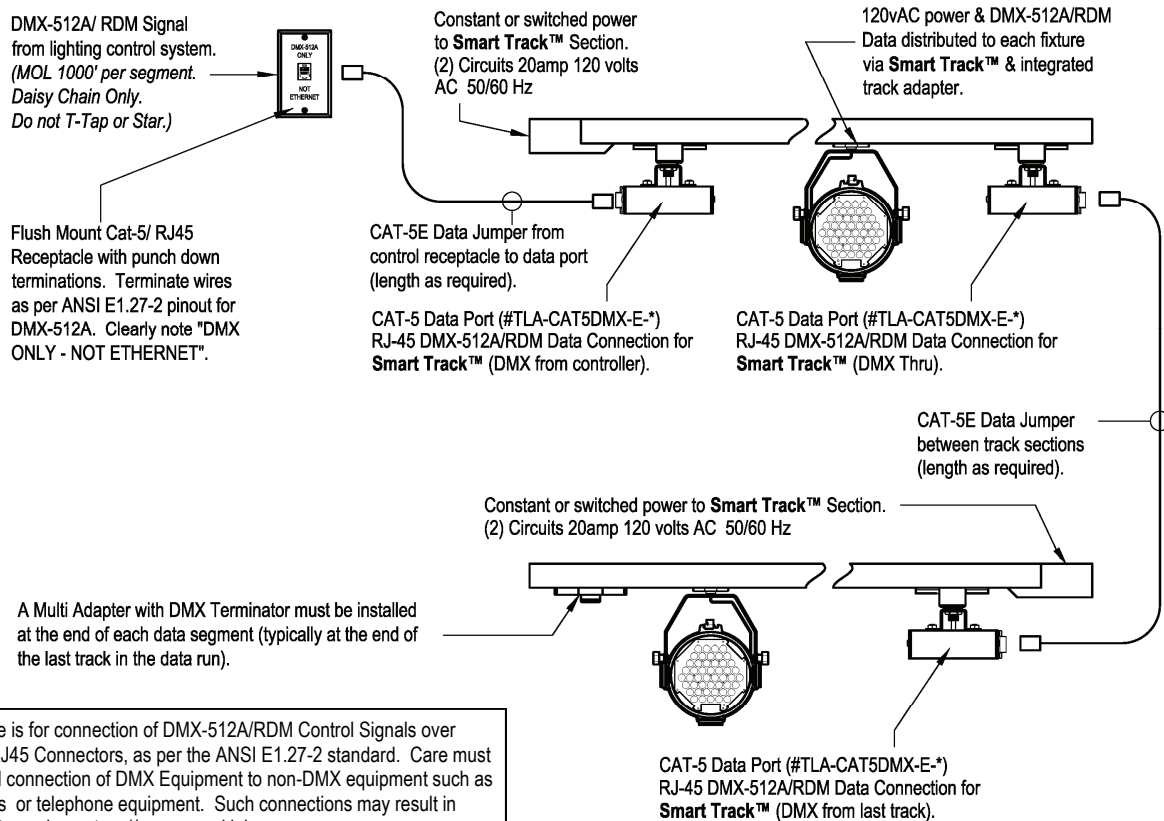
Weight: Approx. 0.75lbs. (0.35 kg)

Part Number: TLA-CAT5DMX-*	
Model	Color*
TLA-CAT5DMX-	BK (Black)
	WH (White)
	SL (Silver)

Basic wiring diagram for Smart Track System using Cat-5 Data Port input



Basic wiring diagram for Smart Track System using Cat-5 Data Port input and thru



Note: This device is for connection of DMX-512A/RDM Control Signals over Cat5 wiring via RJ45 Connectors, as per the ANSI E1.27-2 standard. Care must be taken to avoid connection of DMX Equipment to non-DMX equipment such as Ethernet switches or telephone equipment. Such connections may result in serious damage to equipment and/or personal injury.